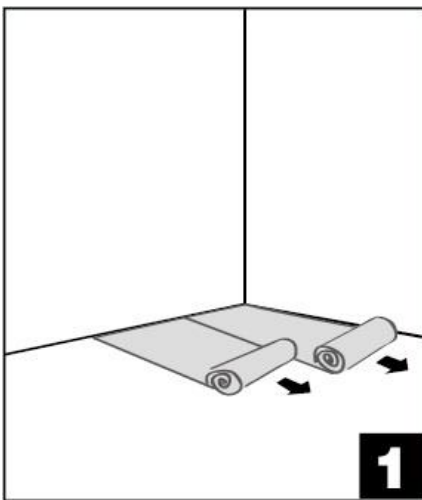
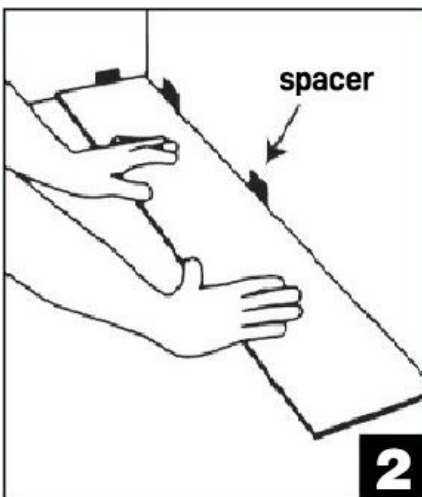




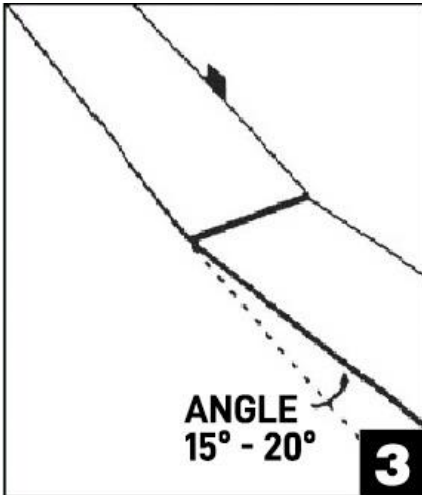
Installation Method for EraFlor SPC Flooring



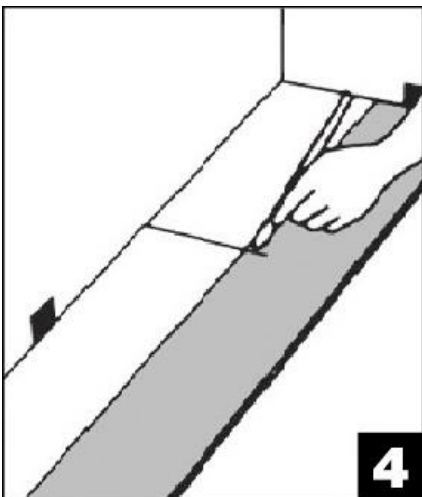
STEP 1 - Prepare Floor. Underlay on the dry and levelled subfloor



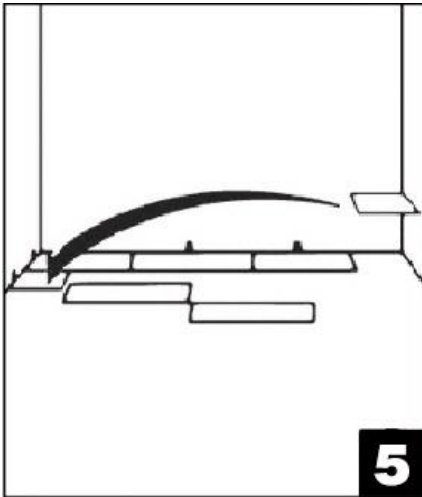
STEP 2 - Start at a corner. Place first plank with tongue side facing wall. Use spacers to maintain an expansion space of 8mm between wall and flooring.



STEP 3 - Insert 2nd plank's end tongue to 1st plank's end groove at an angle of 15° to 20°. The plank will click into place when lowered. Line up edges carefully. Planks should be flat to the floor.



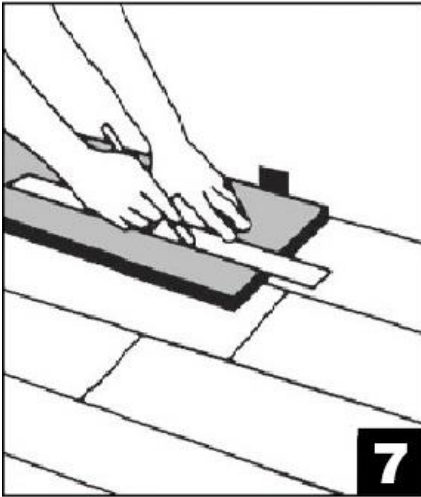
STEP 4 - For the last plank of a row, flip a full plank to its under-side and place beside the row. Measure and mark the required length. Use a ruler and utility knife to score the plank and snap off. Insert as previous 3 diagrams.



STEP 5 - Begin next row with the last cut off piece from the previous row to stagger the pattern.



STEP 6 - To start second row, assemble your entire row on the subfloor before attaching it to the first row. To attach, tilt and push the side tongue into the side groove of the first row at an angle of 15° to 20°. Lower and click into place lining the edges up carefully. Continue laying remaining planks in this matter.



STEP 7 - To fit the final row, lay a plank upside down on the flooring as per diagram with the tongue side close to wall. Take another plank and place it right on top of the previous row and use it as a ruler. Don't forget to allow room for spacers. Cut the plank and attach into position.



STEP 8 - The gap between the bottom of a door and the SPC flooring should be 1 cm height. To trim door frames, turn a plank upside down. Place it next to the door frame as per diagram. Use a handsaw and cut away the necessary height so that the planks can slide easily underneath the frame.